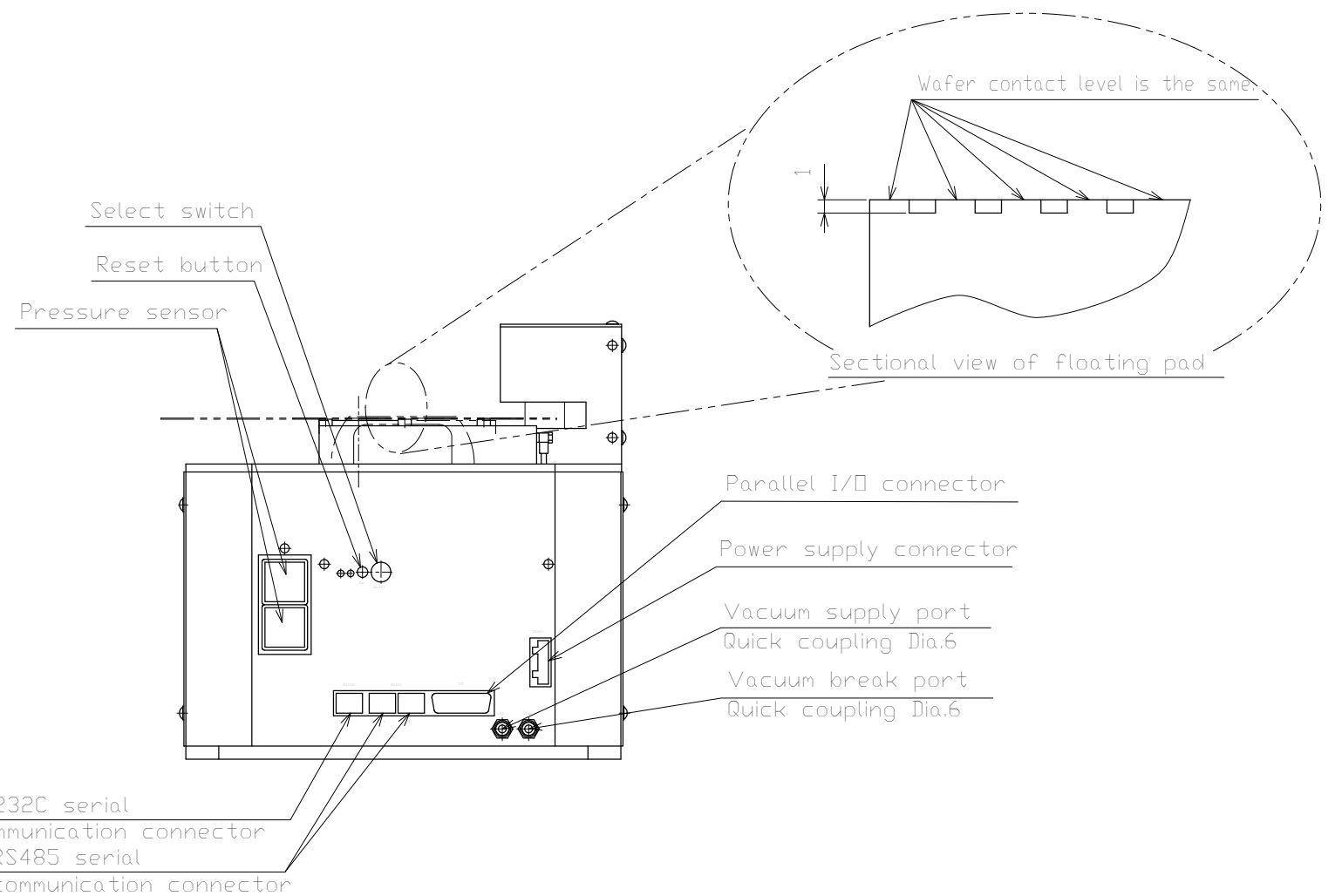
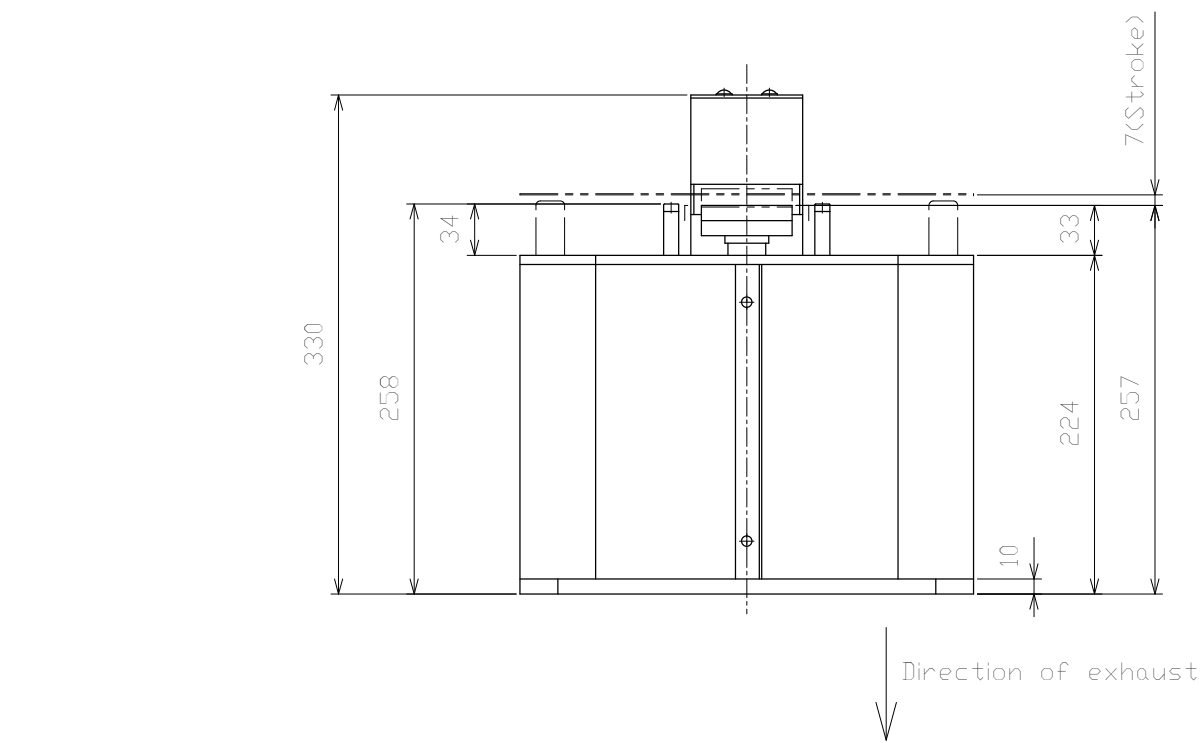


Reference drawing

- * This drawing may be revised without any advance notification.
- * When designing the equipment layout based on this drawing, please confirm with JEL in advance.



MODEL モデル	SAL46C6		
ISSUED NO. 管理番号	WJ0326E	SCALE 尺度	1/5